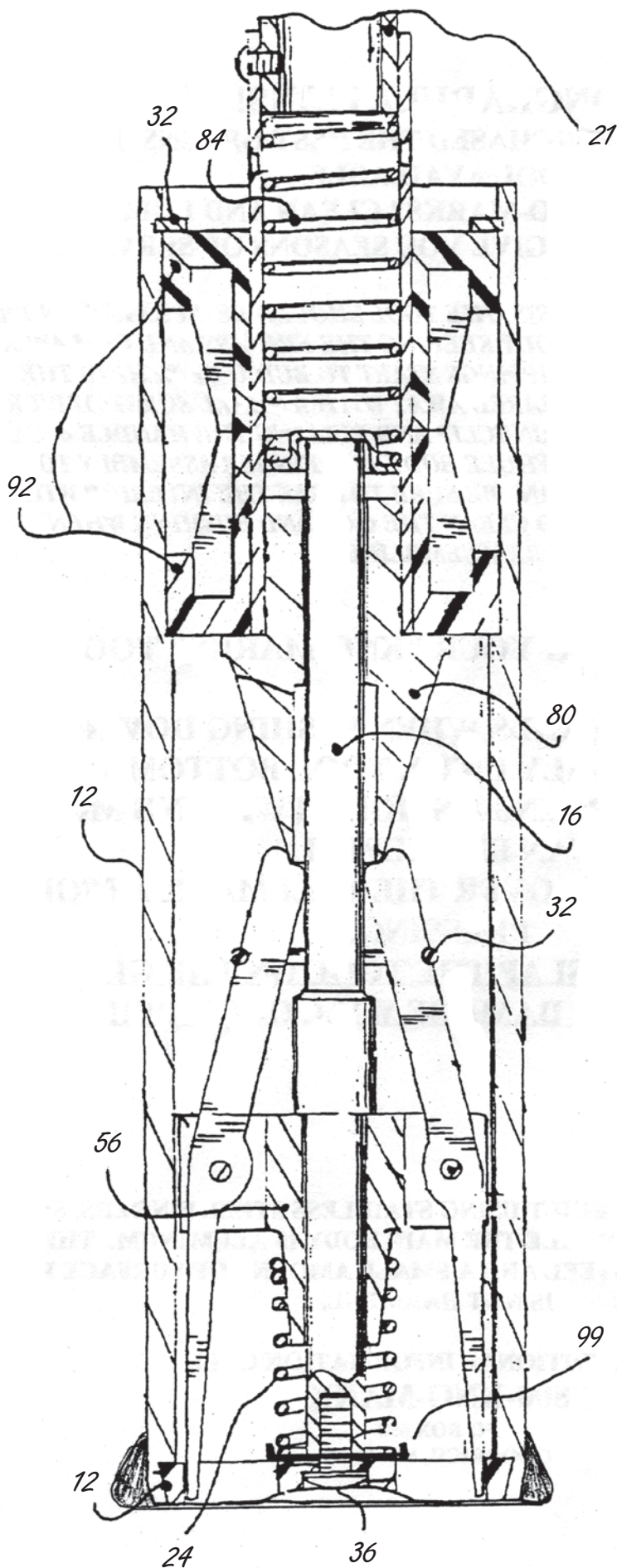


KNO-MARKS BALL MARK REPAIR TOOL



Kno-Marks Parts

Body & Cap	#12
Center Shaft	#16
Handle & Grip	#21
Snap Ring	#22
Front Spring	#24
Garter Spring	#32
Center Bolt	#36
Finger Assembly	#56
Cam Tube	#80
Back Spring	#84
Bushings (2)	#92
Cup Washer	#99

*Kno-Marks Repair Kit

*#56, #16, #24, #32, #36, #92, #99